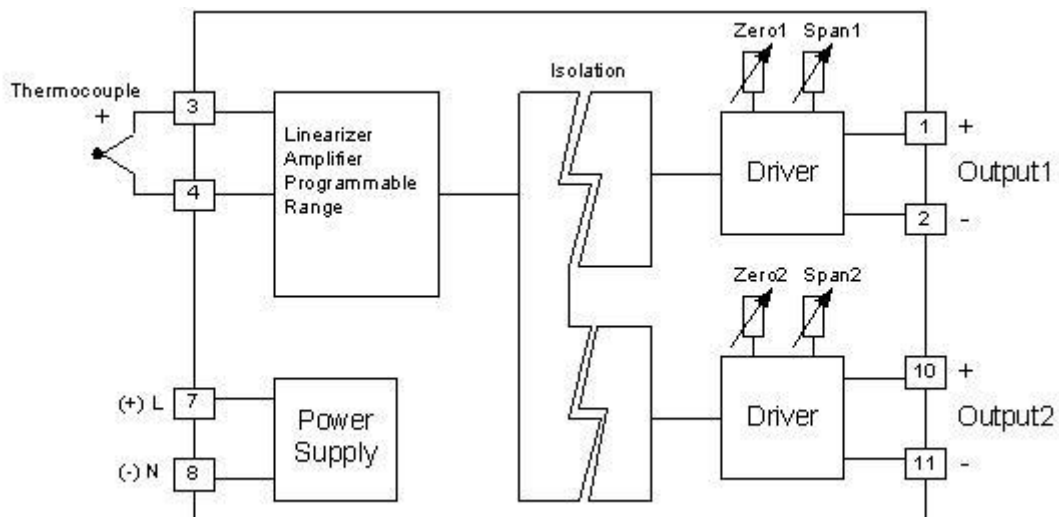


Thermocouple Transmitter TT98



- Programmable range
- Linearized output standard signal
- 2 Isolated outputs
- Isolation of input, output and power supply
- Cold junction compensation

The thermocouple's signal is linearized and cold - junction compensated to provide an isolated and linearized DC. Voltage or current output. Typically the TT98 interfaces with recording, monitoring or controlling instruments.



Specifications

Thermocouple Input

Number of channel: 1 Channel

Input type: Thermocouple

Input range:

Type J (0 to 800 °C)

Type K (0 to 1200 °C)

Type R (0 to 1700 °C)

Type S (0 to 1700 °C)

Type T ((-)200 to 200 °C)

Cold junction compensation:

0 to 50 °C

Burn out thermocouple:

Upscale drive standard

Analog Output

Number of channel: 2 Channels

Output type: Current, Voltage

Output range:

Current (0 to 20, 4 to 20 mA)

Voltage (0 to 1, 0 to 5, 1 to 5 VDC)

Linearity: < ± 0.2% of span

Output Load Resistance:

Current (max. 1000 Ω load)

Voltage (min 1000 Ω load)

Isolation voltage: 500 VAC (1 min.)

between input, output, power supply

Ordering Information: Specify thermocouple type, input range, output1,output2,
power supply

Example TT98/K/0-400°C/4-20 mA/1-5 VDC/220 VAC

Package Checklist

1. TT98

Power Requirements

Power Supply: 100, 110, 220 VAC
(24 VDC Optional)

Environmental Limits

Operating Temperature: 0 to 55 °C

Operating Humidity: 5 to 95% RH

Storage Temperature: 0 to 70 °C

Physical Characteristics

Dimension: W50 x H70 x D130mm.

Mounting: Wall or DIN rail

Connection: Plug-in 11 pins socket

Warranty

Warranty Period: 5 year